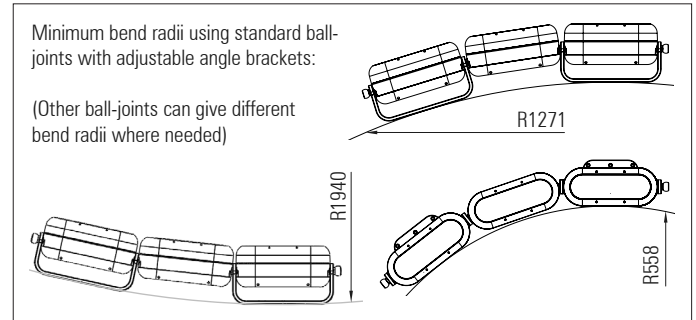
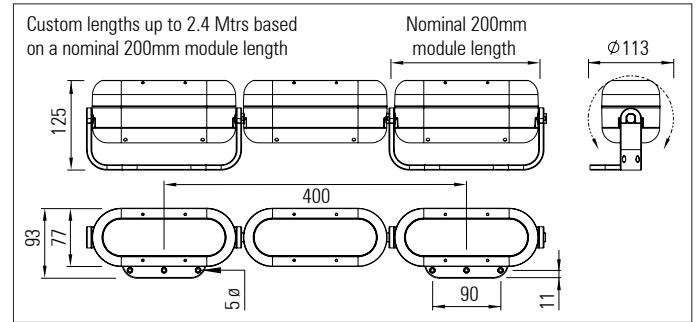
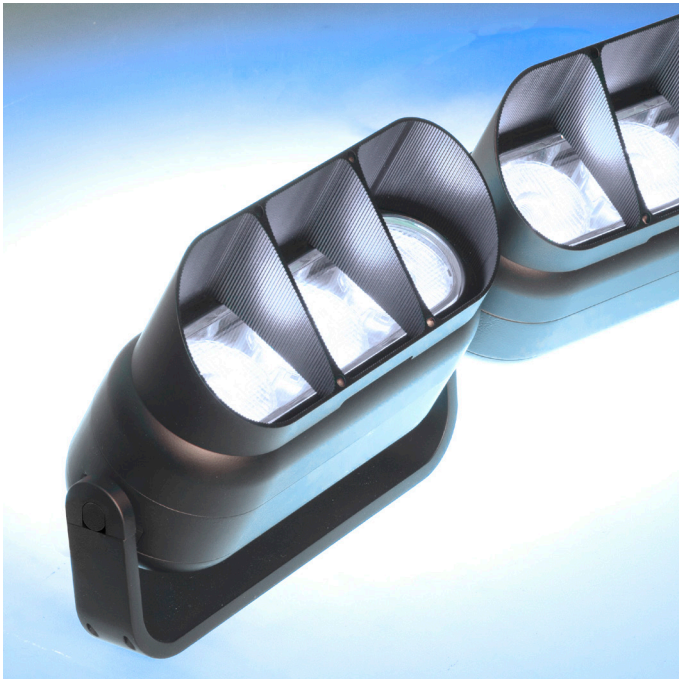


3D LED Flex system 200 RGBW IP20

RGBW or tunable white LED arrays with colour-blending lenses

Modular, 3D flexible LED linear lighting system



1, 2 or 3 x high-power RGBW or tunable white LED cluster arrays with collimator lenses, per 8" (200mm) module

Modular, 3D flexible LED linear lighting system RGBW or tunable white

Product description:

Developed for use in a wide variety of large-scale architectural lighting projects requiring highly controlled lighting effects for wall grazing and wall wash lighting, where the building surfaces are non-linear with curved profiles

Each module comprises of: 1, 2 or 3 x LED cluster arrays, each comprising of 4x Luxeon Z or CZ white-light or RGBW LEDs with a \varnothing 45mm Gaggione colour-blending lens

Up to 25 Watts per 200mm module

Flexible in 3 dimensions - Articulated ball-joint system between modules. Hand-bendable

Side, back and end power feed and connector options allow for continuous lighting with no dark areas between fixtures. 17.5 Amp connectors join strips together on-site

Integral AC to DC constant current drivers for white and RGBW LED allow long lengths to be powered from a single power feed. AC mains voltage input

Each of the 4 LEDs within the clusters of 4 LEDs can be a different colour, or white light colour temperature. Custom combinations can be specified. See grid for options

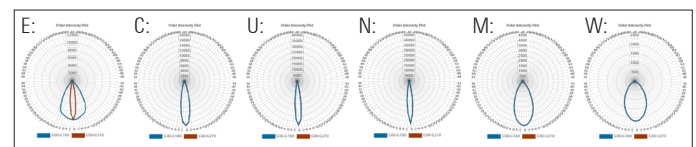
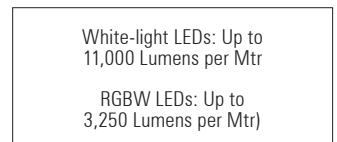
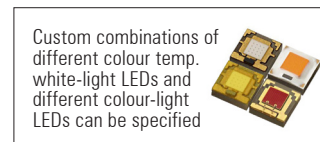
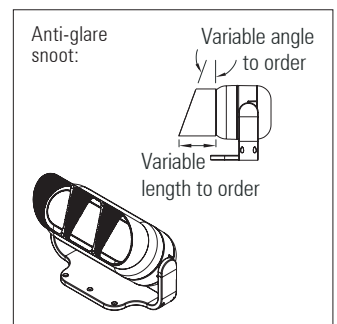
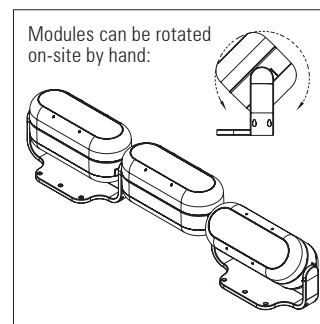
Dimming options available: 1-10V, DMX and DALI. Separate dimming channel

Satin black, satin white or any RAL paint colour finish

Custom lengths based on a 200 mm module length up to 2.4 Mtrs

Various mounting options and bracket types are available including custom designs

Anti-glare snoot accessories provide excellent glare control



| Product Code | IP | Length | No.LEDs | LED Type | LED Colour / Colour Temp.(K) | CRI | Optics (°) | Bracket Type | Anti-glare Snoot | Feed | Finish |
|-----------------------------------|----|--|----------------------------------|--------------------------------------|---|----------------|--|---|---|---------------|----------------------------|
| RAD 3D LED FLEX 200 IP 20 RGBW-1L | 20 | 200mm - increments of 200mm up to -2,400mm | 1x array per module: 200mm pitch | LUMI-LEDs: | Specify all 4x LEDs in cluster: Far Red, Red, Deep Red, Red-Orange, Amber, PC Amber, Mint, Lime, Green, Cyan, Blue, Royal Blue, Violet | 70 80 90 | LUXEON Z LEDs with Gaggione LLC59: E: 8.2x31.3° C: 11.7° U: 8.1° N: 7.6° M: 24.1° W: 32.2° | Adjustable angle | Cut-angle: 0° - 75° (increments of 5°) | End Back Side | Black White Any RAL-colour |
| RAD 3D LED FLEX 200 IP 20 RGBW-2L | | | 2x array per module: 100mm pitch | Cluster of 4 x LUXEON Z or CZ LEDs - | | | | Fixed angle | | | |
| RAD 3D LED FLEX 200 IP 20 RGBW-3L | | | 3x array per module: 56mm pitch | RGBW | | | | Custom height adjustable angle (specify leg height) | | | |
| | | | | | | | | Custom solution | Height: specify height | | |